



March Roundtable

Cub Scout Theme: Why Does It Do That?

Scouts BSA Theme: Swimming

Point of Law: Cheerful

Prepared. For Life.®



Opening – Professor Plop Opening

(Circle Ten Council)

- **Setting:** Cubmaster with Professor Plop (adult dressed appropriately) and his special invention

Cubmaster: We have called in a ceremony specialist to help us tonight. I would like for you to meet Professor Plop from M.I.T. (Mighty Ingenious Tech)

Professor: I'm still working on my special invention. It's not quite perfected yet, but I'm close.

Cubmaster: That looks like quite a gadget.

Professor: It is, it is!

Cubmaster: Well, we'll get on with our pack meeting and let you continue your work. Please stand and join me in the Pledge of Allegiance.

Prepared. For Life.®



Scout is Reverent

For Our Creative Minds *Cub Scout Roundtable Leaders' Guide*

We give thanks for our families, our blessings, our Scouts and their creative minds. Help us to encourage their creativity and individuality.

AMEN

Prepared. For Life.®



Welcome

Welcome to tonight's Roundtable. Even though we cannot meet in person, we will have some fun!

Prepared. For Life.®



Announcements

- **District Pinewood Derby – 20 March 2021**
- **Camp Cards – Sell, Sell, Sell!**

- **Check riverside.org for a copy of the Midway ppt**

Prepared. For Life.®



Riverside's First Female Eagle Scout

- <https://www.floridatoday.com/story/news/2021/02/16/viera-high-girl-included-nations-first-class-female-eagle-scouts/6721855002/>
- <https://www.clickorlando.com/news/local/2021/03/04/brevard-county-teen-among-first-historic-group-of-girls-to-reach-eagle-scout/>



Prepared. For Life.®



Need Volunteers for Day Camp Staff

- Theme: **Weird Science**
- Need: **Volunteers for 2021 Riverside Day Camp Staff**
- Register: <https://scoutingevent.com/083-DayCamp>



Prepared. For Life.®



my.scouting.org/Roster

- That's where you'll be able to produce rosters, edit your personal profile, and produce reports (Unit Pin, Record of Change, Membership Totals, Eagle Extension, and Chartered Organizations). Note that the specific features available in "Roster" will be determined by your registered role in Scouting and that you can also edit your personal profile using the "My Profile" option on your my.scouting.org menu.

Prepared. For Life.®



Online Registration

- My.Scouting also provides access to a suite of tools to support membership growth. Check out <https://www.scouting.org/resources/online-registration/>. There you will find information on a variety of tools, including BeAScout and JoinExploring (that can be used to promote a unit and that parents and youth can use to find it), Invitation Manager (which identifies interested families and supports extending invitations to them and process inquiries from a unit's BeAScout pin), and Application Manager (which manages the applications units receive and enables unit leaders to act quickly on submitted online applications).

Prepared. For Life.®



Diversity, Equity, and Inclusion MB

- As previously announced, implementation of the new Disability, Equity, and Inclusion Merit Badge has been delayed. Excellent feedback on the initial draft of content and requirement was received from local councils and is being incorporated to ensure the best possible resource. No date of implementation is available at this time; additional information will be available as progress continues.

Prepared. For Life.®



Run Ons – What Watt?

(Great Salt Lake Council)

Shopper: Have you any four-volt, two-watt bulbs?

Clerk: For what?

Shopper: No, four-volt, two-watt.

Clerk: Two what?

Shopper: Yes!

Clerk: No.

Prepared. For Life.®



Safety Moment – Guide to Safe Scouting

- As Scouts and Scouters, we engage in a wide variety of outings and experiences. In order to keep ourselves and the youth we serve safe from risk, BSA has an important document called the Guide to Safe Scouting (GTSS).
- The Safety of our Scouts and fellow Scouters is paramount, and the GTSS should serve as your go-to resource for information related to:
 1. Safety and Risk Management
 2. Age-appropriate activities for Scouts
 3. Restrictions and prohibited activities
 4. Additional resources related to safety



Adobe Acrobat
Document

Prepared. For Life.®



Run Ons

(Baltimore Area Council)

Teacher: What is the formula for water?

Jimmy: H-I-J-K-L-M-N-O.

Teacher: That's not the formula I gave you.

Jimmy: You said H to O.

Moby: Have you ever seen a fish cry?

Dick: No, But I've 'seen a whale blubber.

Prepared. For Life.®



Time for Breakouts



Prepared. For Life.®



Cub Scout Topic – Annual Planning Conference

- <https://vimeo.com/499382831>



C:\Users\Mom\
\March Cub Scout

Prepared. For Life.®



Annual Program Planning Conference

ROUNDTABLE

Annual Program Planning



Discuss and Share

- What part of the conference does your Pack do well? And what could be improved upon?
- Why is your Pack program planning conference an important part of how your Pack operates?
- Have you taken the training module, "Annual Program Planning For Cub Scouting?" If so, what from it do you use in your Pack?
- What do you do for your annual program planning conference? Can you start this Summer, and can someone help you?



Prepared. For Life.®



Breakouts

- **Lion/Tigers: Gizmos and Gadgets/Curiosity, Intrigue, and Magical Mysteries (Belinda, Sally)**
- **Wolf/Bear: Germs Alive!/Super Science (Stacy, Barbara)**
- **Webelos/AOL: Adventures in Science (Stuart)**
- **Cubmasters/Committee: Annual Program Conference (Marsha)**
- **Scout BSA: Swimming**

Prepared. For Life.®



Breakout – Lion: Gizmos and Gadgets



Prepared. For Life.®



Breakout –Tiger: Curiosity, Intrigue, and Magical Mysteries





Breakout – Wolf: Germs Alive!



Prepared. For Life.®



Breakout – Bear: Super Science



Prepared. For Life.®



Breakout – Webelos: Adventures in Science



Prepared. For Life.®



Breakout – Cubmaster

Longhorn Council

Invention Cheer: I've made it, I've made it. Don't know what it is, but I've made it!

Magic Cheer: Put hand up sleeve then pull it out and shout “Sha-zam”!

Mad Scientist Cheer: Hold an imaginary test tube up in one hand and pour into it with the other hand. Shake it then shout “BOOM”! Then say – “That was exciting!”

Great Salt Lake Council

Ben Franklin Cheer: Hold both hands out in front of you as if flying a kite. Jerk back suddenly while saying, “Zap, Zap, Zap.” (Lightning). That was enlightening!

Prepared. For Life.®



Who Invented It?

(Baltimore Area Council)

- Each of the following inventions has played an important part in modern industrial development. Who invented each of them?

- | | | |
|-----|-------------------|------------------------------|
| 1. | Telephone | A. Edmund Cartwright |
| 2. | Phonograph | B. Cyrus McCormick |
| 3. | Telegraph | C. Samuel F. B. Morse |
| 4. | Dynamite | D. The DuPont Company |
| 5. | Power Loom | E. Thomas Alva Edison |
| 6. | Steamboat | F. Galileo |
| 7. | Reaper | G. Charles Goodyear |
| 8. | Vulcanized rubber | H. Alexander Graham Bell |
| 9. | Nylon | I. Sir Alexander Fleming |
| 10. | Thermometer | J. Robert Fulton |
| 11. | Penicillin | K. Wilbur and Orville Wright |
| 12. | Airplane | L. Alfred Nobel |

Answers: 1-H, 2-E, 3-C, 4-L, 5-A, 6-J, 7-B, 8-G, 9-D, 10-F, 11-I, 12-K





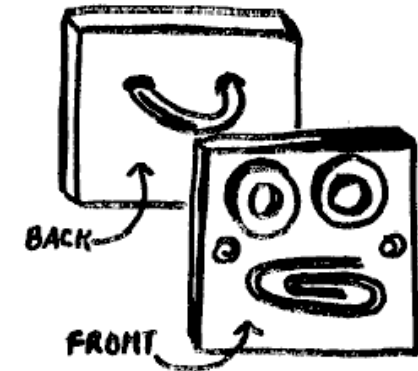
Invention Neckerchief Slide (Baltimore Area Council)

- **Materials**

- Bag of many small items
- Small block of wood (size appropriate for slide)
- Cable staple $5/8$ " x $1 1/8$ "

- **Instruction**

- Give each boy a bag of small items: screws, pipe-cleaners, nails, felt, construction paper, washers, paper clips, etc. Hammer the cable staple in the back of the block of wood. Let the boys' imaginations loose and see what they can do with their invention neckerchief slides.



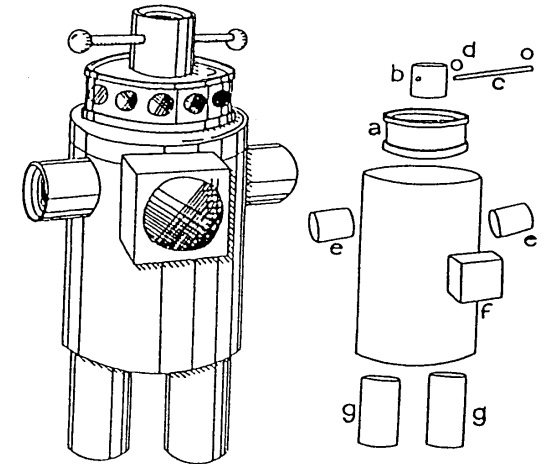
Prepared. For Life.®



Odds and Ends Robot

(Circle Ten Council)

- **Materials:**
 - Oatmeal (round) box
 - 2 beads
 - Tuna fish can
 - 2 cardboard tubes from inside rolls of paper towels
 - Pencil
 - Liquid white glue
 - Poster paints
 - Waxed-paper towels
 - Straw
 - Crayons or colored felt-tipped markers
 - Watercolor brush

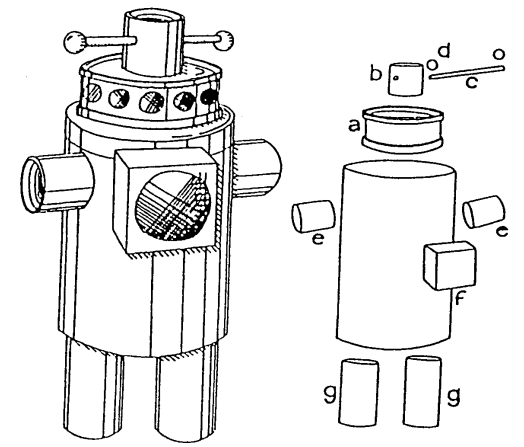


Prepared. For Life.®



Odds and Ends Robot

(Circle Ten Council)



- **Instructions:**

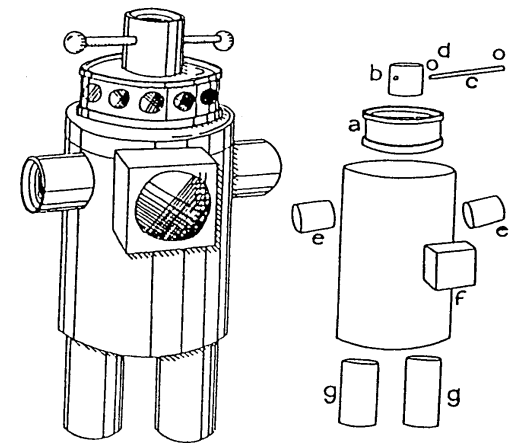
1. Remove the lid from a tuna fish can.
2. Glue the can to the top of an oatmeal box, open side down, Fig. A
3. Cut one of the cardboard tubes in three equal parts.
4. Punch a hole with a sharp pencil completely through the center of one of the tube sections. You can use a paper punch.
5. Glue this tube to the top of the tuna can. Fig. B.
6. Push a straw through both ends of the tube. Fig. C.
7. Glue a bead to both ends of the straw, Fig. D
8. Glue the other two sections of the cut tube to the oatmeal box, close to the top. Fig. E.

Prepared. For Life.®



Odds and Ends Robot

(Circle Ten Council)



- **Instructions (contd):**

9. Cut off one end of an empty waxed-paper box.

10. Glue the waxed-paper box section to the front of the oatmeal box. Fig. F.

11. Cut the other cardboard tube into two equal parts.

12. Glue both parts of the tube to the bottom of the oatmeal box. Fig. G.

13. Paint the robot with gray poster paint.

14. Paint red circles on the tuna fish can, and blue circles on the front of the box.

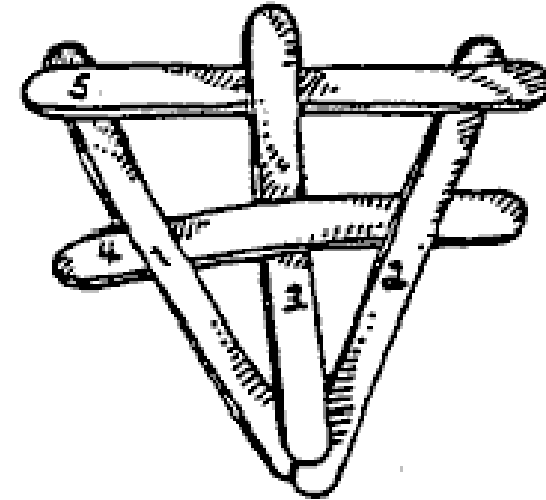
Prepared. For Life.®



Amazing Flying Machine (Bomb Pops)

(Baltimore Area Council)

- **Materials:** 5 Craft sticks (tongue depressors work best)
- **Instructions:**
 1. Weave the 5 sticks together as shown.
 2. Fly like a Frisbee. The plane “explodes” on contact with the ground or other surfaces.
 3. Assemble it again and have more fun.



Prepared. For Life.®



Advancement Ceremony – The Wheel (Baltimore Area Council)

- Personnel: Asst Cubmaster (ACM), Cubmaster (CM)

ACM: While pushing a wheelbarrow decorated in blue and gold and, optionally, dressed as a caveman he says, “Hey you guys! Look what I invented!”

CM: “What are you going to do with it?”

ACM: “Well, uh, I don’t know, but it sure is fun and easy to push around!”

CM: “Hey I’ve got an idea. Will the parents of (new Cub Scout) and his Den Leader please come forward? Great! Parents this is (Den Leader’s Name) who will be working with your boy. Will you please stand close together in a row.

- *ACM brings in new Cub Scout in the wheel invention.*

CM: “Thank you, now push him behind this line of people and I will

• *ACM brings in new Cub Scout (While I push him behind a row of parents and Den Leader)*

Prepared For Life®



Advancement Ceremony – The Wheel (*Baltimore Area Council*)

- *ACM brings in new Cub Scout in the wheel invention.*

CM: “Thank you, now push him behind this line of people and I will invent a Cub Scout. (*While boy is behind the row of parent the Den leader, CM and ACM put the boy in a uniform and neckerchief. When he appears the boy is now a Cub Scout.*)

CM: “Using this wheel invention, I have invented a Cub Scout.” (*He then welcomes boy to the Pack and awards him his Bobcat badge, if earned.*)

- Other rank advancements could be done the same way. While behind the line of people, neckerchiefs are exchanged.
- Other awards - Arrow Points, Activity badges, etc. could be awarded from the wheelbarrow.

Prepared. For Life.®



Cubmaster Minute

(Baltimore Area Council)

**Work while you work, play while you play.
One thing at a time, that is the way.
All that you do, do with all your might.
Things done halfway are not done right.
What you are is god's gift to you.
What you make of yourself is your gift to God.
Make it a good gift.**

Prepared. For Life.®